

D

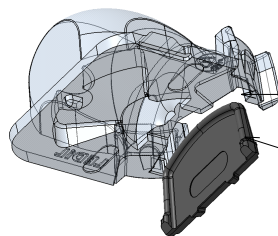
C

B

A

REV	DATE
001	11.09.2025

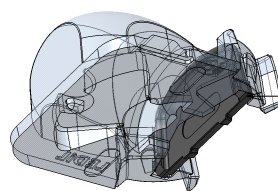
4



Align with the holes
Lip towards front

4

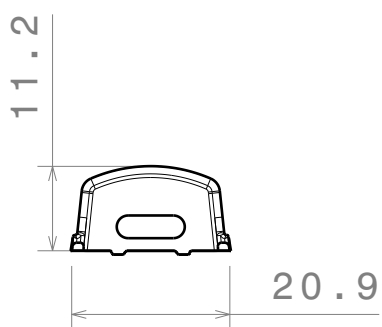
3



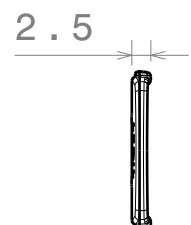
Press down all the way,
surfaces needs to be at same level

3

2



Front view
Scale: 1:1



Top View
Scale: 1:1



Back view
Scale: 1:1

2

PART	MATERIAL	COLOR
L20286_SQ-SC2-SHD_MECHMODEL_001	Polycarbonate	black

MECHANICAL DRAWING

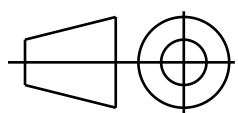
PRODUCT
SQ - SC2 - SHD



1

Plastic moulding general tolerances according to DIN 16901-130 and applies if not otherwise shown in the drawing. Silicone moulding general tolerances according to ISO 3302-1 Class M3 and applies if not otherwise shown in the drawing.

FIRST ANGLE PROJECTION:



This drawing is the property of LEDiL Oy. It may not be copied or otherwise distributed without prior written permission from LEDiL Oy.

1

SCALE	1:1	WEIGHT	-	A4	SHEET 1/1
-------	-----	--------	---	----	-----------

D

A